

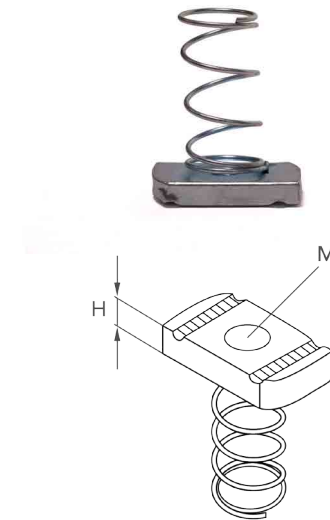
TP SPRING NUT - TP SN & TP CN & TP CNT

■ Application

- It is used for easy and safe fixing of various fasteners to G Channels.
- Serration offers bigger grip and horizontal resistance, and can be considered for seismic design cases.

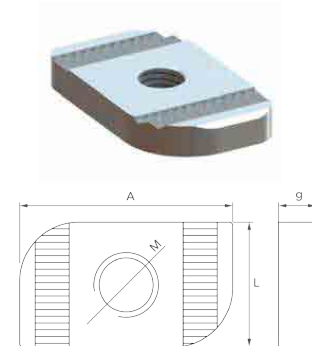
■ TP SN - TP Spring Nut

Item Number	Description	Size	Material	H (mm)
TP 4393	TP Spring Nut	M8	Delta Protect	6
TP 4394	TP Spring Nut	M10	Delta Protect	6
TP 4395	TP Spring Nut	M12	Delta Protect	6
TP 4060	TP Spring Nut	M8	Galvanized	6
TP 4061	TP Spring Nut	M10	Galvanized	6
TP 4062	TP Spring Nut	M12	Galvanized	8
TP 4063	TP Spring Nut	M8	HDG	6
TP 4064	TP Spring Nut	M10	HDG	6
TP 4065	TP Spring Nut	M12	HDG	6



■ TP CN - Channel Nut With Teeth

Item Number	Description	Size	Material	Dimensions L x A x g
TP 4067	TP Channel Nut with Teeth	M8	Galvanized	20x34x6
TP 4068	TP Channel Nut with Teeth	M10	Galvanized	20x34x6
TP 4069	TP Channel Nut with Teeth	M12	Galvanized	20x34x6
TP 4070	TP Channel Nut with Teeth	M16	Galvanized	20x34x6



■ TP CNT- Top Spring Channel Nut

Item Number	Description	Size	Material
TP 4722	TP Top Spring Channel Nut	M8	GVZ
TP 4723	TP Top Spring Channel Nut	M10	GVZ
TP 4724	TP Top Spring Channel Nut	M12	GVZ
TP 4725	TP Top Spring Channel Nut	M8	HDG
TP 4726	TP Top Spring Channel Nut	M10	HDG
TP 4727	TP Top Spring Channel Nut	M12	HDG

