

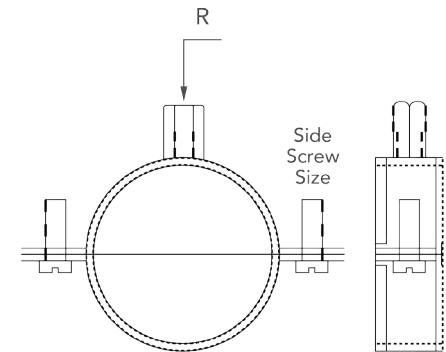
TP PIPE CLAMP WITH EPDM LINING

■ Product Description

- TP Pipe Clamp with EPDM lining is recommended to support non-insulated stationary pipes.
- It can be used for supporting pipes along with the ceiling
- It can be used to support steel pipes, copper pipes, PVC pipes, PPR pipes, etc...
- TP Pipe Clamp with EPDM lining can reduce noises up to 18 dB
- Made up of mild steel material
- Can be used on pipes with temperature between -20°C to 110°C
- Available sizes 3/8" to 20"
- Available finishing material : Electro-Galvanized, Hot Dip Galvanized and Plain

■ Approvals

- Manufacturers Standardization Society ANSI/MSS SP-58 & SP-69 (Type 12)
- Federal Specification WW-H-171E & A-A-1192A (Type25)



■ Characteristics

Item Number	Nominal Pipe Size		Pipe Outer Diameter (D) (mm)	Range (mm)	Threaded Rod Size (R)	Side Screw size	Maximum Load (KG)
	Inch	mm					
TP 12100	¾"	DN10	17.1	15-19	M8 X M10	M6	450
TP 12101	½"	DN15	21.3	20-25	M8 X M10	M6	450
TP 12102	¾"	DN20	26.7	26-30	M8 X M10	M6	450
TP 12103	1"	DN25	33.4	32-36	M8 X M10	M6	450
TP 12104	1 ¼"	DN32	42.1	38-43	M8 X M10	M6	450
TP 12105	1 ½"	DN40	48.2	47-51	M8 X M10	M6	450
TP 12106	-	54mm	54.0	53-58	M8 X M10	M6	450
TP 12107	2"	DN50	60.3	60-64	M8 X M10	M6	450
TP 12108	-	63mm	63.0	63-66	M8 X M10	M6	450
TP 12109	-	70mm	70.0	68-72	M8 X M10	M6	450
TP 12110	2 ½"	DN65	73.0	74-80	M8 X M10	M6	600
TP 12111	-	83mm	83.0	81-86	M8 X M10	M6	600
TP 12112	3"	DN80	88.9	87-92	M8 X M10	M6	600
TP 12113	3 ½"	DN90	101.6	99-105	M8 X M10	M6	600
TP 12114	-	110mm	110.0	107-112	M8 X M10	M6	600
TP 12115	4"	DN100	114.3	113-118	M8 X M10	M6	600
TP 12116	-	125mm	125.0	125-130	M8 X M10	M6	600
TP 12117	-	133mm	133.0	131-137	M8 X M10	M6	600
TP 12118	5"	DN125	141.3	138-142	M8 X M10	M6	600
TP 12119	-	150mm	150.0	148-153	M8 X M10	M6	600
TP 12120	-	160mm	160.0	159-166	M8 X M10	M6	600
TP 12121	6"	DN150	168.3	168-172	M8 X M10	M8	600
TP 12122	-	210mm	210.0	200-212	M8 X M10	M8	950
TP 12123	8"	DN200	219.1	215-220	M8 X M10	M8	950
TP 12124	-	250mm	250.0	247-253	M8 X M10	M8	950
TP 12125	10"	DN250	273.0	269-274	M8 X M10	M8	950
TP 12126	-	315mm	315.0	312-318	M8 X M10	M8	1200
TP 12127	12"	DN300	323.8	323-328	M8 X M10	M8	1200
TP 12128	-	355mm	355.0	350-360	M8 X M10	M8	1200
TP 12129	-	400mm	400.0	395-405	M8 X M10	M8	1200
TP 12130	-	450mm	450.0	445-455	M8 X M10	M8	1500
TP 12131	-	500mm	500.0	495-505	M8 X M10	M8	1500