

# TP CLEVIS CLAMP



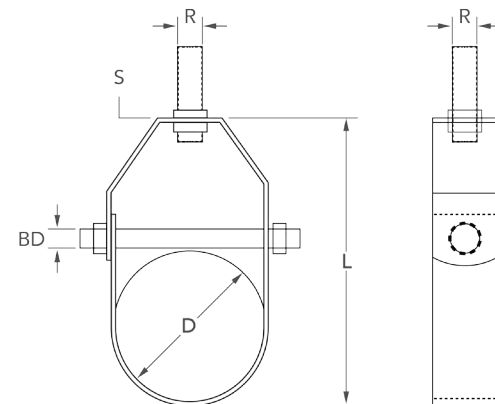
## ■ Product Description

- TP Clevis Clamp consist of a yoke and a support strap, made from shaped mild steel strip and a joining bolt.
- TP Clevis Clamp needs two nuts to fasten it to the threaded rod. The lower nut will adjust the pipe to the recommended elevation, whereas the upper nut will prevent the support to loose due to the pipe vibration.
- TP Clevis Clamp is recommended to support heavy load pipes
- Made up of mild steel material
- Available sizes 1/2" to 30"
- Available finishing material : Electro-Galvanized, Hot Dip Galvanized



## ■ Approvals

- Underwriter's Laboratories (UL)
- Factory Mutual Approved (FM)
- Electrogalvanized as per ASTM B 633
- Designed to meet MSS Standard SP 58 (type 1) and SP 69



## ■ Characteristics

Item Number	Nominal Pipe Size		Approval	Pipe Outer Diameter (D) (mm)	Material Dimension (mm)		Threaded Rod Size (R)	Bolt Diameter (BD)	Maximum Load (KG)
	Inch	mm			Height (L)	Top Hole Diameter (S)			
TP 12050	½"	DN15	UL	21.3	68	11	M10	M8	400
TP 12051	¾"	DN20	UL & FM	26.7	72	11	M10	M8	400
TP 12052	1"	DN25	UL & FM	33.4	76	11	M10	M8	400
TP 12053	1 ¼"	DN32	UL & FM	42.1	87	11	M10	M8	400
TP 12054	1 ½"	DN40	UL & FM	48.2	97	11	M10	M8	400
TP 12055	2"	DN50	UL & FM	60.3	114	11	M10	M8	400
TP 12056	2 ½"	DN65		73.0	142	13	M12	M10	650
TP 12057	3"	DN80	UL & FM	88.9	165	13	M12	M10	650
TP 12058	3 ½"	DN90		101.6	190	13	M12	M10	650
TP 12059	4"	DN100	UL & FM	114.3	202	13	M12	M10	800
TP 12060	5"	DN125	UL & FM	141.3	236	13	M12	M12	800
TP 12061	6"	DN150	UL & FM	168.3	278	13	M12	M12	1100
TP 12062	8"	DN200	UL & FM	219.1	338	13	M12	M12	1100
TP 12063	10"	DN250		273.1	419	17	M16	M16	1500
TP 12064	12"	DN300		323.8	490	21	M20	M20	1500
TP 12065	14"	DN350		355.6	556	21	M20	M20	1750
TP 12066	16"	DN400		406.4	610	25	M24	M24	1750
TP 12067	18"	DN450		457.2	675	25	M24	M24	1750
TP 12068	20"	DN500		508.0	715	32	M30	M24	2200
TP 12069	24"	DN600		609.6	850	32	M30	M24	2700
TP 12070	30"	DN750		762.0	995	32	M30	M24	3000

Note: The Threaded Rod size (R) and Bolt Diameter (BD) can be changed upon request